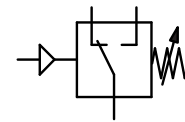


<b>Description</b>	The pressure switch closes or opens an electrical contact when the desired pressure is reached. If it falls below, the contact will be reset.	
<b>Media</b>	compressed air, non-corrosive gases or liquids	
<b>Overpressure</b>	see chart for max. static pressure, dynamic pressures are 50% lower	
<b>Switch contact</b>	DS15/16: NO contact, optionally NC contact	DS17/18: SPDT switch
<b>Contact load</b>	DS15/16: 2 A at 42 V DC, DS17: 4 A at 42 V DC, DS18: 4 A at 250 V AC	
<b>Electrical connector</b>	DS15/16: screw terminal, DS17/18: spade terminal 6.3 x 0.8 mm, optionally also for DS15/16	
<b>Hysteresis</b>	DS15/16: 5...20%, DS17/18: adjustable to 10...30% by factory	
<b>Life cycle</b>	10 <sup>6</sup> switching cycles at < 50 bar	<b>Switching frequency</b> max. 200 cycles/min
<b>Vibration resistance</b>	10 g at 5...200 Hz	<b>Shock resistance</b> 30 g
<b>Certifications</b>	CSA-certified and UL-listed	
<b>Protection class</b>	IP 00, with coupling socket IP 65	
<b>Temperature range</b>	-30 °C to 100 °C / -22 °F to 212 °F for NBR/Buna-N, -30 °C to 120 °C / -22 °F to 248 °F for EPDM, -5 °C to 120 °C / 23 °F to 248 °F for FKM	
<b>Material</b>	Body: steel, brass at DS15, optionally stainless steel at DS18 Elastomer: NBR/Buna-N, optionally EPDM or FKM	

0,1 ... 1/200 bar  
-0.2 ... -1 bar



Switches



12

Pressure transmission by	Overpressure protection < bar	Measuring tolerance ± bar	Measurement range bar	Order number
--------------------------	-------------------------------	---------------------------	-----------------------	--------------

Pressure switch G <sup>1</sup> / <sub>4</sub> m, NO 42V			steel, NBR/Buna-N, without protective cap	DS16
diaphragm	300	0.2	0.1 ... 1.0	DS16-A
		0.5	1.0 ... 10	DS16-B
		1.0	10 ... 20	DS16-C
		2.0	20 ... 50	DS16-D
piston	600	5.0	50 ... 150	DS16-E

Pressure switch G <sup>1</sup> / <sub>4</sub> m, SPDT 42V			steel, NBR/Buna-N, with coupling socket	DS17
diaphragm	100	0.2	0.3 ... 1.5	DS17-A
		0.5	1.0 ... 10	DS17-B
		1.0	1.0 ... 10	DS17-C
		3.0	10 ... 50	DS17-D
		5.0	10 ... 100	DS17-E
piston	600	5.0	50 ... 200	DS17-H

Pressure switch G <sup>1</sup> / <sub>4</sub> m, SPDT 250V			steel, NBR/Buna-N, with coupling socket	DS18
diaphragm	100	0.2	0.3 ... 1.5	DS18-A
		1.0	1.0 ... 10	DS18-C
		3.0	10 ... 50	DS18-D
		5.0	10 ... 100	DS18-E
piston	600	5.0	50 ... 200	DS18-H

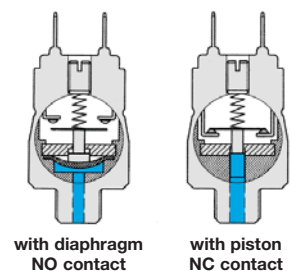
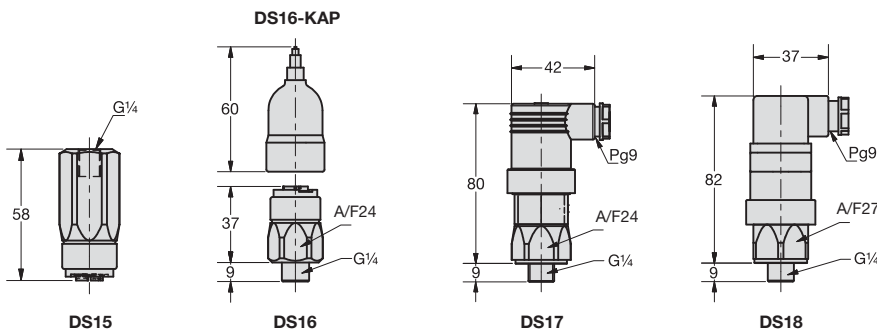
Vacuum switch G <sup>1</sup> / <sub>8</sub> f, NO 42V			brass, FKM, without protective cap	DS15
diaphragm	20	0.1	-0.2 ... -1	DS15-03

### Special options, add the appropriate letter

<b>EPDM elastomer</b>		not for DS15	DS1 .-. E
<b>FKM elastomer</b>	Viton	not for DS15	DS1 .-. V
<b>free of oil and grease</b>	suitable for oxygen, max. 10 bar		DS1 .-. L
<b>NC contact</b>	instead of normally open contact	for DS15 and DS16	DS1 .-. 1
<b>spade terminal</b>	6.3 x 0.8 mm, galvanised	for DS15 and DS16	DS1 .-. T
<b>600 bar overpressure</b>	maximum	for DS16	DS16-. U
<b>gold contact</b>	max. 24 V AC/DC, 50 mA	for DS17	DS17-. G
<b>250 V</b>	max. voltage	for DS17	DS17-. W
<b>stainless steel body</b>	0.5 ... 5/200 bar	for DS18	DS18-. S
<b>factory-set pressure</b>	pressure indication falling pressure VF . . rising pressure		DS1 .-. VS . .

### Accessories

protection cap	straight, IP65	for DS15 and DS16	DS16-KAP
----------------	----------------	-------------------	----------



with diaphragm NO contact

with piston NC contact



Order example:  
DS16-A

PDF CAD  
www.aircom.net